



Fiber view



Copper view

KEY FEATURES

- Dual DVI via single strand SC Fiber per channel
- Supports USB 2.0 over LC style fiber
- Fits into any assembly
- Fiber LC style connector
- Link/Activity LED
- Input power +5V
- RoHS compliant

The VT084 has dual single strand SC-Style Fiber for each DVI channels. The Copper DVI is converted into the Fiber and routed to the DVI connectors.

In addition the VT084 in conjunction with VT083 allows seamless connection between the USB root complex and the end point devices via Fiber. The LC style connector allows the units to be connected using standard fiber cable.

The VT084 module has options for a single-mode or multi-mode transceiver for its USB connection.

The module takes +5V input.

VadaTech can modify this product to meet special customer requirements without NRE (minimum order placement is required).

DVI Copper to Fiber with USB 2.0 Copper Media Converter to Fiber

SPECIFICATIONS

Architecture		
Physical	Dimensions	Width: 4.77"
		Length: 5.75"
		Depth: 1.5"
Product Type	Graphic and USB	Dual Graphic and USB
Standards		
USB	Type	USB 2.0
Configuration		
Power	VT084	4W
Environmental	Temperature	Operating Temperature: 0° to 65° C
		Storage Temperature: -40° to +95° C
	Vibration	1G, 5-500Hz each axis
	Shock	30G each axis
	Relative Humidity	5 to 95 percent, non-condensing
Front Panel	LEDs	Link and Activity
Other		
MTBF	Mil Hand book 217F > TBD	
Certifications	Designed to meet FCC, CE and UL certifications where applicable	
Standards	VadaTech is certified to both the ISO9001:2000 and AS9100B:2004 standards	
Compliance	RoHS	
Warranty	Two (2) years	
Trademarks	The VadaTech logo is a registered trademark of VadaTech, Inc. Other registered trademarks are the property of their respective owners.	

DVI Copper to Fiber with USB 2.0 Copper Media Converter to Fiber

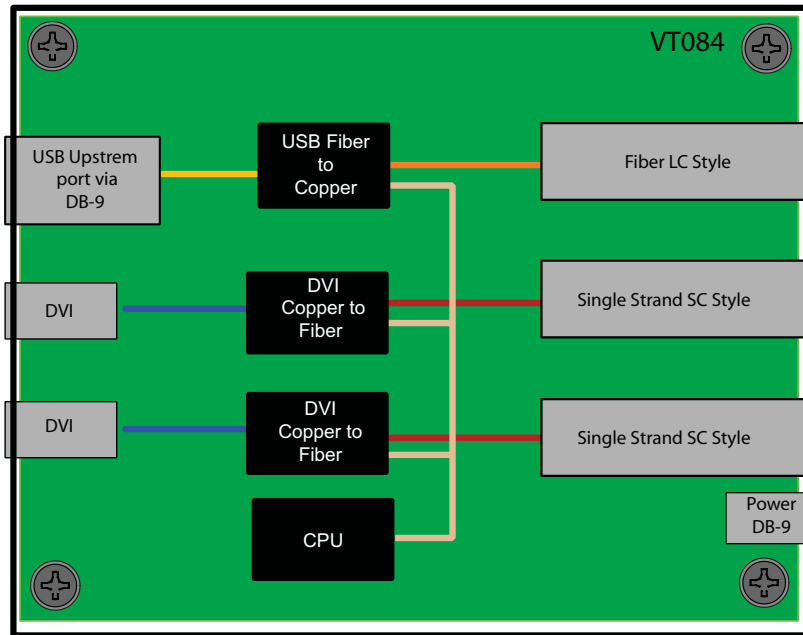


FIGURE 1. VT084 Functional Block Diagram

ORDERING OPTIONS

VT084 - ABC - 000 - OHJ

A = USB Fiber

- 1 = LC/SX transceiver (850 nm)
- 2 = LC/LX transceiver (1310 nm)

B = Graphic

- 0 = None
- 1 = Single Graphic
- 2 = Dual Graphic

C = Mount option

- 0 = With Enclosure
- 1 = PCB Assembly only

H = Operating Temp

- 0 = Commercial
- 1 = Industrial

J = Conformal Coating

- 0 = None
- 1 = Humiseal 1A33 Polyurethane
- 2 = Humiseal 1B31 Acrylic